



**Accurately control device dip rate and depth for greater reliability and consistency of high-performance coated devices.**



AVID Innovation's DIP200 Dipping Station enables automatic control of the dip rates and depth of a medical device into a chemical solution.

State of the art motion control eliminates errors and scrap due to operator variability in the process. The high precision motor and high quality bearings and ballscrew of the mechanics allow for extremely smooth motion resulting in a superior finish of the applied coating.

Multiple profiles can be setup for different devices, selectable by the operator via pushbuttons on the front of the control panel. A PC is used to setup the dipping profiles, but is not required to run the machine. This allows the machine to be securely setup by maintenance or engineering, without fear of parameters being accidentally changed by the operator.

As with all AVID Innovation equipment, customization is possible to solve your particular application needs. Custom options include (but are not limited to) customer tooling, process development, increased travel distances, touch screen controls.

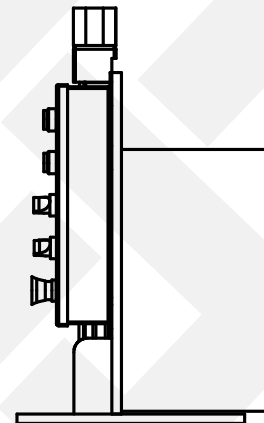
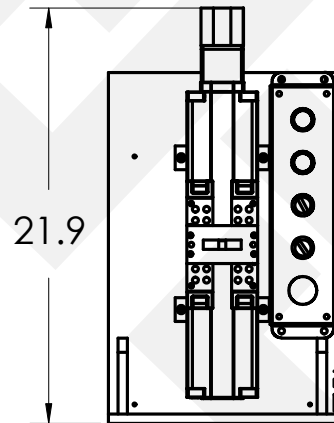
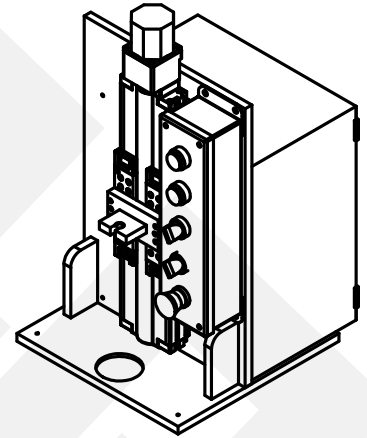
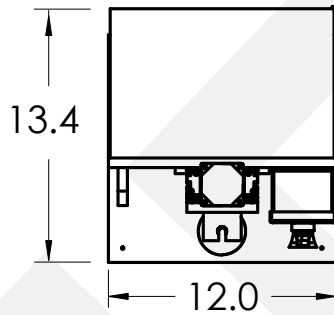
- Increase consistency and reliability of device coatings
- Lower costs by eliminating errors and scrap due to operator variability
- High precision motor and mechanics provide smoother motion resulting in more uniform coatings
- Easy to operate 5-button control panel - no PC required for operation
- Customizable dip profiles with separate positions, velocities and dwells
- Custom tooling available
- Options include custom tooling, recipe management system, touch screen interface

AVID Innovation is a leading supplier of high quality, reliable and cost-effective equipment and machine solutions to the medical devices industry.

Visit our website to learn more about both our standard and customized automation solutions.

**AVID Innovation**

## Dimensions (in):



## Specifications:

Vertical Travel	8" (200mm)
Dipping Rates	Up to 4 in / sec
Accuracy	+/- 0.01"
Repeatability	+/- 0.003"
Electrical	110VAC, +/- 10%, 50/60 Hz, 20A
Dimensions	22" H x 12" W x 14" D
Weight	30 lbs